

# ROBUS®

COMMERCIAL

## SPEEDBEAM PLUS

18/36W, 24/48W, 34/68W, IP20



### PRODUCT INFORMATION DOCUMENT

#### FEATURES

- Easy to open screw-less end caps providing quick and simple installation
- Two-part construction making wiring and installation much easier and faster
- Modularised components for quick and easy replacement
- All sizes equipped with quick connectors allowing plug-in emergency pack (RLEMPKDT-PSU) and plug-in microwave sensor (RLMW) to be fitted in seconds. Compatible with suspension kit (RAESUS-2W)
- Light colour temperature selectable between 3000K, 4000K and 6500K
- Unique design of each size allowing selection between 2 different lumen outputs to suit installation area requirements

#### CONSTRUCTION

- Pressed steel, powder coated base
- Polycarbonate diffuser and end caps
- 4-way push terminals



WARRANTY



LIFETIME



LUMENS PER W



IK RATING



IP RATING



OPERATING VOLTAGE



BEAM ANGLE



NON DIMMABLE DIMMING



CCT



SAFETY CLASS

Product Code:	RSBX012-01	RSBX015-01	RSBX015E-01	RSBX018-01
Comparable to:	1x/2x36W T8	1x/2x58W T8	1x/2x58W T8	1x/2x70W T8
Total Power (W):	19/35	24/52	24.7/49.9	34/68
Power Factor:	0.99	0.99	0.99	0.99
Total Light Output (lm):	2750/4940	3730/7260	3710/7210	5160/9000
Total Emergency Light Output (lm):	260	250	250	240
Efficacy (lm/cctW):	122/149	128/158	150/144	118/153
Lux at 1m (lux):				
Emergency Lux at 1m (lux):	80	80	80	70
CCT (K):	3000/4000/6500	3000/4000/6500	3000/4000/6500	3000/4000/6500
CRI:	80	80	80	80
IP:	20	20	20	20
Operation Temperature (°C):	-20 ≤ Ta ≤ +40	-20 ≤ Ta ≤ +40	-10 ≤ Ta ≤ +40	-20 ≤ Ta ≤ +40
Inrush Current:	12.9A/196us	14.5A/195us	14.5A/195us	17.5A/210us
RG Value:	0	0	0	0
SDCM:	6	6	6	6
P <sub>ST</sub> LM:	NA	NA	NA	NA
SVM:	NA	NA	NA	NA
Energy Class:	D	D	D	D
Rated Life to L70B50 (Hrs):	50000	50000	50000	50000
Dimensions LxWxH (mm):	1230x66x66	1530x66x66	1530x66x66	1830x66x66
Weight (kg):	1.29	1.55	1.7	1.81

#### Separate Control Gear Information

Type of Light Source:	LED	LED	LED
Full Load Efficiency (%):	93	94	94
P <sub>NET</sub> (W):	NA	NA	NA
Dimensions (mm):	148x34x25	192x40x25	167x37x25

Product is certified to all the relevant standards.

Please contact our technical department for market specific compliances.

PLEASE NOTE: INFORMATION IN THIS DOCUMENT MAY BE SUBJECT TO CHANGE WITHOUT PRIOR NOTICE

IRE: TEL: +353 1 709 9000  
 UK: TEL: 0800 973 220  
 AUS: TEL: +61 7 3890 5444  
 NZ: TEL: +64 03 668 5285

WEB: ROBUS.COM  
 WEB: ROBUS.COM  
 WEB: ROBUS.COM.AU  
 WEB: ROBUSLED.CO.NZ

LED GROUP EUROPE · UK · AUSTRALIA · NEW ZEALAND · ASIA · MIDDLE EAST · AFRICA

### SPEEDBEAM PLUS

18/36W, 24/48W, 34/68W, IP20

#### Cone Illuminance Diagram

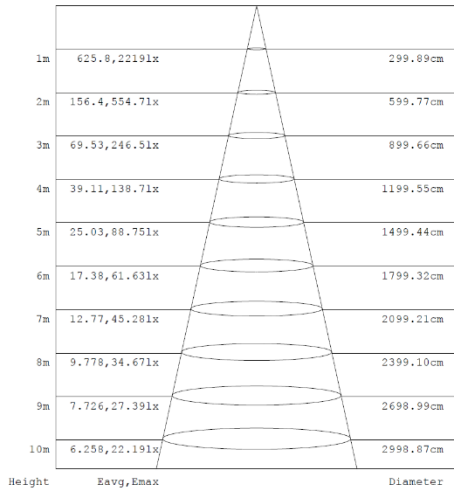
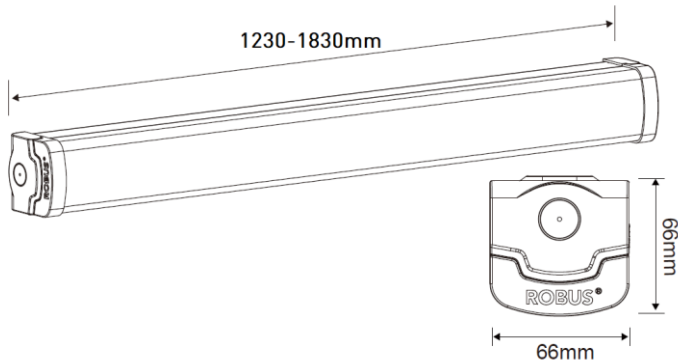


Diagram for RSBX015-01 in 52W, 4000K. Other diagrams available on request

#### Dimension Diagram



#### Sensor Data

Time Off Delay:	5s to 10min
Illuminance Switching Range:	2lux to 50lux, disabled
Sensitivity Range (%):	50%, 100%
Mounting Height (max):	5m
Detection Zone Diameter (max):	10m

#### Polar Intensity Diagram

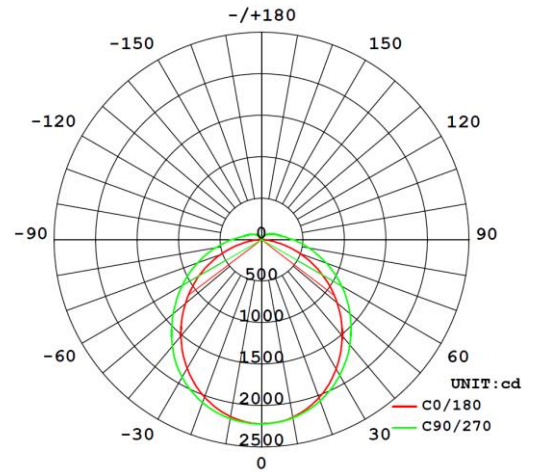


Diagram for RSBX015-01 in 52W, 4000K. Other diagrams available on request

#### Accessories

- RLEMPKDT-PSU 2W 3 Hour DUAL TEST Emergency Pack
- RLMW Plug-in Microwave Sensor